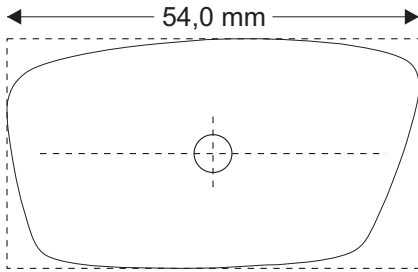
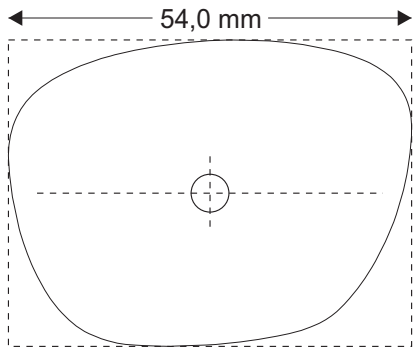


Swissflex fashion / shapes



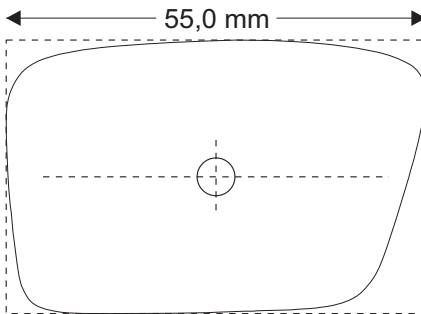
Shape 01

Boxing: 54 | Bridge: 17



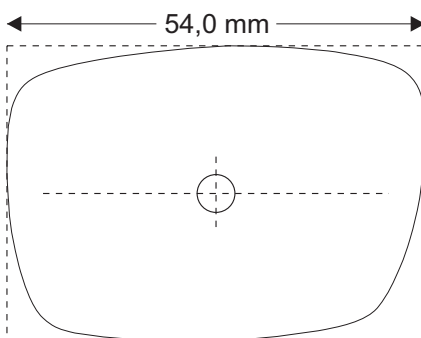
Shape 02

Boxing: 54 | Bridge: 18



Shape 03

Boxing: 55 | Bridge: 17

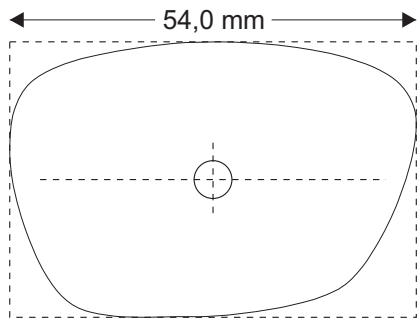


Shape 04

Boxing: 54 | Bridge: 17

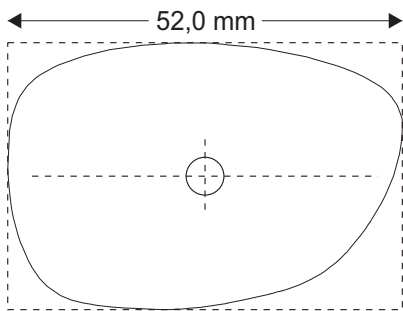
the Boxing is rounded

Swissflex fashion / shapes



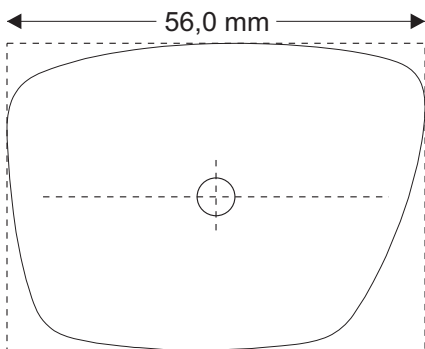
Shape 05

Boxing: 54 | Bridge: 17



Shape 06

Boxing: 52 | Bridge: 17



Shape 07

Boxing: 56 | Bridge: 17